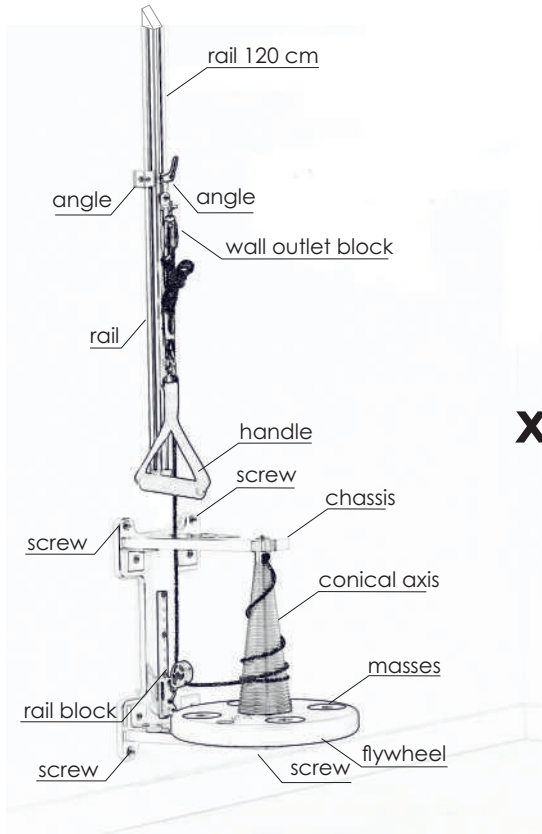


RSP CONIC/ CONIC PRO. Components



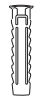
x1



x10



x1 output ground.*



x10



x2

8 mm Ø

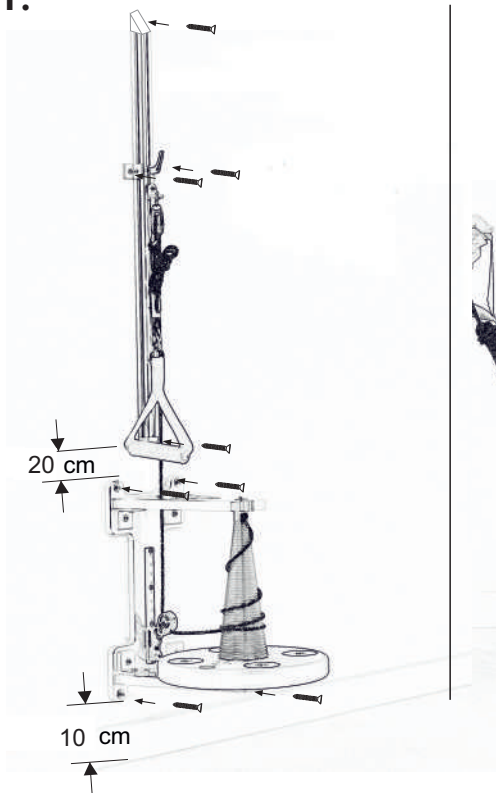


x1

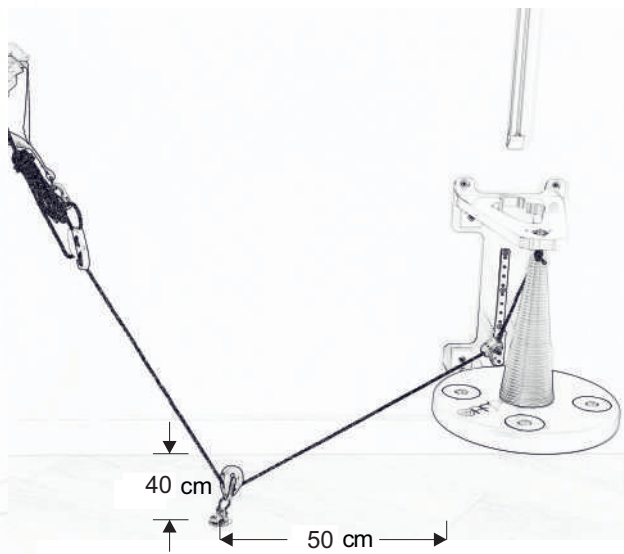
* This mounting (optional) is used to derive the output block to the ground.

RSP CONIC/ CONIC PRO. Instalation

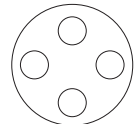
1.



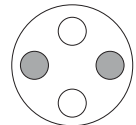
2.



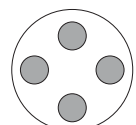
Placement masses:



without masses



2 masses



4 masses

Place de machine as close as possible to the ground, if you have baseboards will be placed above it.
The rail of 120 cm is placed centered with the machine and 20 cm of it.

Make four holes in the wall to the indicated height, insert the plugs first and screw the four screws into the wall. Then install the rail to the block of wall outlet to the indicated height, with the indicated plugs and screws.