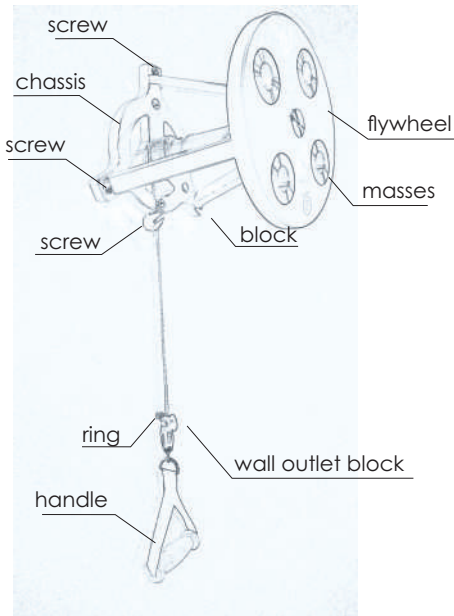
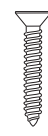


RSP WALL GO. Components.



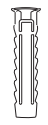
x1



x3

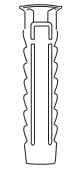


x1



8 mm Ø

x3

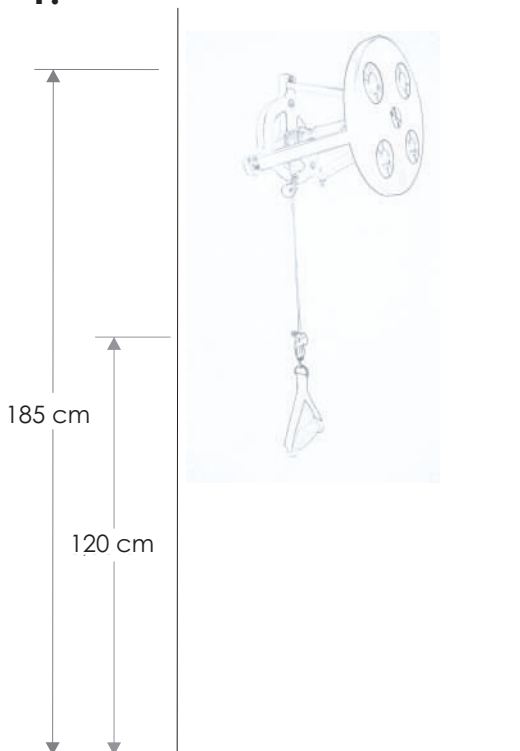


10 mm Ø

x1

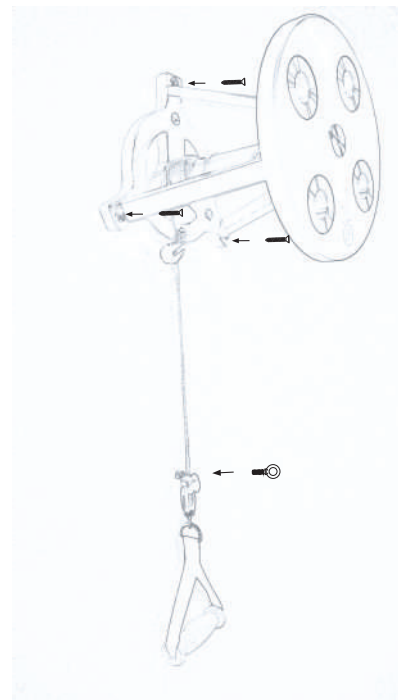
RSP WALL GO. Instalation.

1.

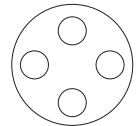


Place the top of the machine to an approximate height of 185 cm from de floor.
Block wall outlet stands at 120 cm from the floor.

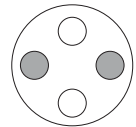
2.



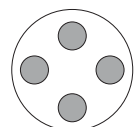
Placement masses:



without masses



2 masses



4 masses

Make three holes in the wall to the height indicated, first insert the plugs and screw the three screws into the wall. Then drill a hole for the block wall outlet to the right height, place the big plug and the ringbolt.