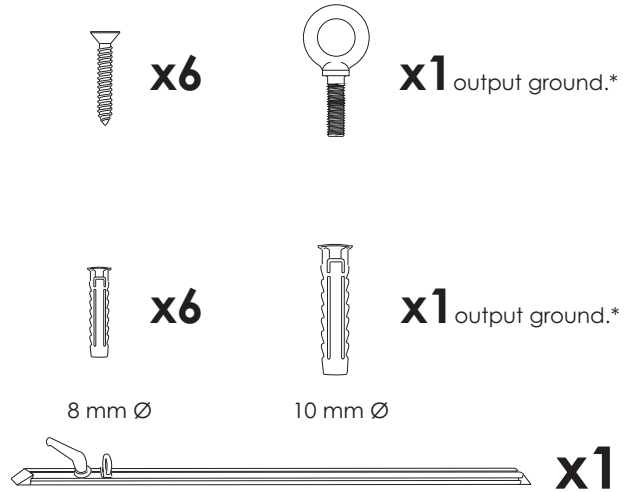
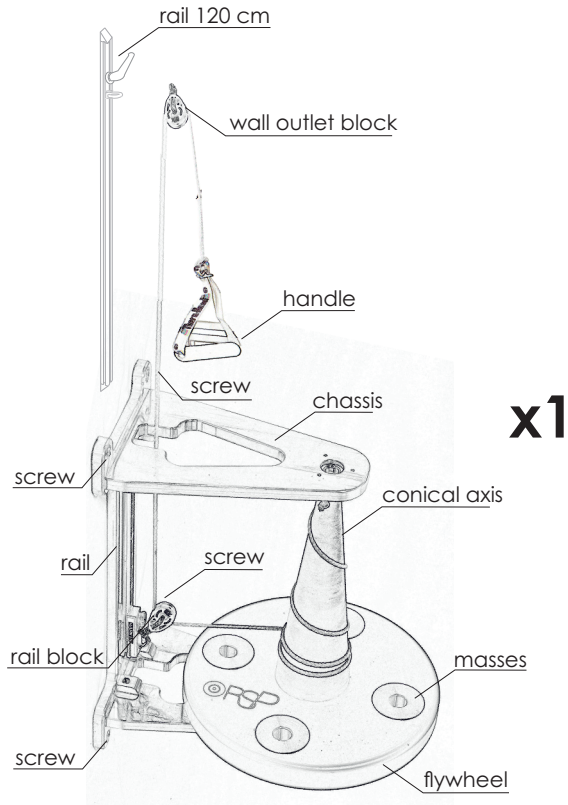
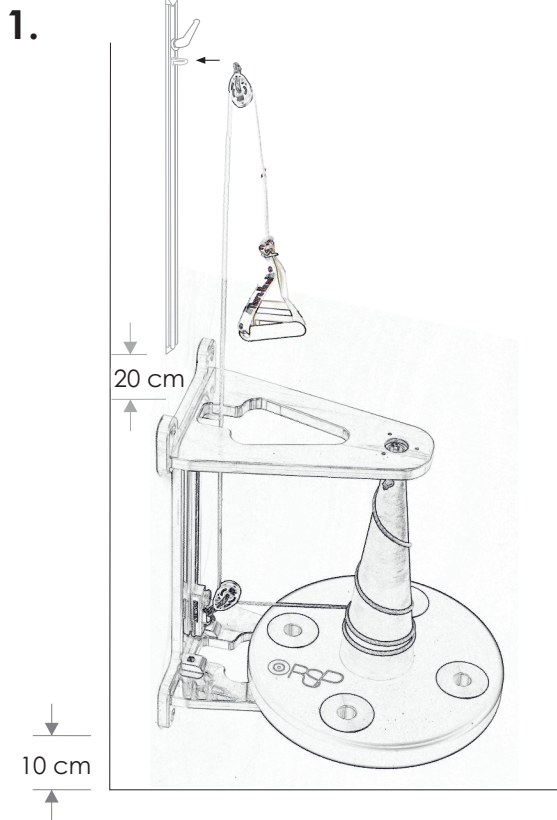


RSP CONIC. Components



* This ringbolt mounting (optional) is used to derive the output block to the ground.

RSP CONIC . Instalation



Place de machine as close as possible to the ground, if you have baseboards will be placed above it.
The rail of 120 cm is placed centered with the machine and 20 cm of it.



Make four holes in the wall to the height indicated, first insert the plugs and screw the four screws into the wall. Then install the rail to the block of wall outlet to the height indicated, with the plugs and screws indicated.